

attwood[®]

Sahara Series Automatic Bilge Pumps

4505 / 4507 / 4511 Installation Instructions

SAVE THESE INSTRUCTIONS

Form Number 69370 Rev C

03-08

This product carries the standard Attwood three-year warranty.

See www.attwoodmarine.com or Product Catalog for details.

CAUTION:

Read all instructions carefully before installing and using this product.

This pump is sealed and, therefore, submersible. However, the electrical wire connections must not be submerged. For extra protection, coat the butt joints and adjacent wire ends liberally with liquid electrical tape such as MDR[®] or Starbrite[®].

Specifications

Part Num.	Model	Amp Fuse	ABYC Specifications 13.6-volts DC (GPH=Gallons Per Hour)			ISO Specifications 12.0-volts DC (LPH=Liters Per Hour)			Max Head (ft. @ 13.6v/ kPa @ 12v)
			GPH/amps	GPH/amps	GPH/amps	LPH/amps	LPH/amps	LPH/amps	
4505	S500	2.0	500/1.5	350/1.4	200/1.4	1136/1.2	598/1.2	9/24	
4507	S750	5.0	750/3.0	625/2.8	450/2.8	1817/2.5	1306/2.5	16/36	
4511	S1100	6.0	1100/4.0	970/3.8	750/3.8	3104/3.3	2328/3.3	11"7/28	

⚠ WARNING: Do not allow sealants containing acetic acid (smells like vinegar) such as silicone rubber sealant to contact the plastic pump housing or thru-hull connector. Such sealants can attack the plastic, causing the pump housing to crack, resulting in pump failure.

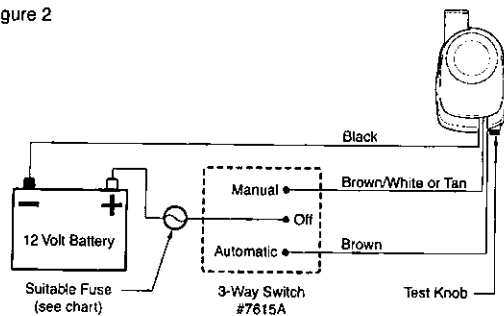
5. Insert thru-hull connector through the hole and tighten to hold the thru-hull connector firmly in place. **CAUTION: Do not overtighten the nut.**

WIRING INSTRUCTIONS

⚠ WARNING: Be certain that power source is 12-volt D.C. Higher voltage will damage the pump.

1. Using the full length of wire provided (and additional wire if necessary), connect wires to the pump as shown in the diagram. (See Figure 2.)

Figure 2



OPTIONAL MATERIALS

- 1/2"-thick marine plywood block (slightly larger than pump base).
- Waterproof adhesive (epoxy, silicone adhesive, or fiberglass resin) to mount block.
- 16-gauge wire (brown and black).

PUMP MOUNTING INSTRUCTIONS

⚠ WARNING: Remove the pump mounting base (See Figure 3). Remove the foam block that supports the float during shipping. Failure to do this prevents the pump from starting when water is present.

1. Make sure the hull thickness is at least 1/2" thick. If not, place a block of 1/2" marine plywood (slightly larger than pump base) in the lowest part of the bilge. Be sure that the pump cover can be removed for cleaning in this position. Glue the plywood to the hull with a waterproof adhesive (epoxy, silicone adhesive, or fiberglass resin). See Figure 1.

Figure 1

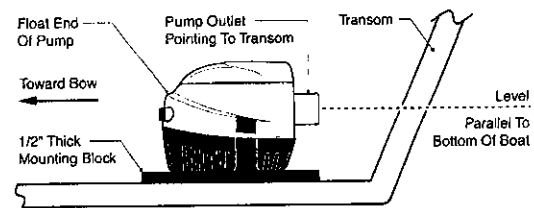
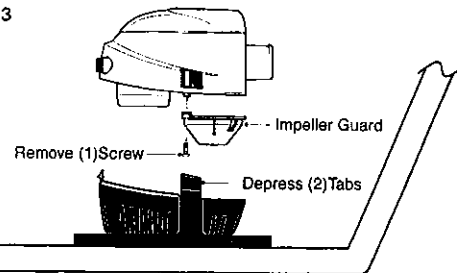


Figure 3



Remove all debris that has accumulated in pump chamber and around the impeller. Ensure that all debris is removed from strainer slots around the pump base.

Inspect the impeller to ensure that it is firmly attached to shaft and is not cracked or broken.

Replace impeller guard, screw, and pump housing on base. Be certain that all tabs are fully engaged.

Periodically check the electrical connections to ensure they are water-resistant and mounted high and dry.

Do not use household cleaners on the pump because many of them may damage the pump materials.